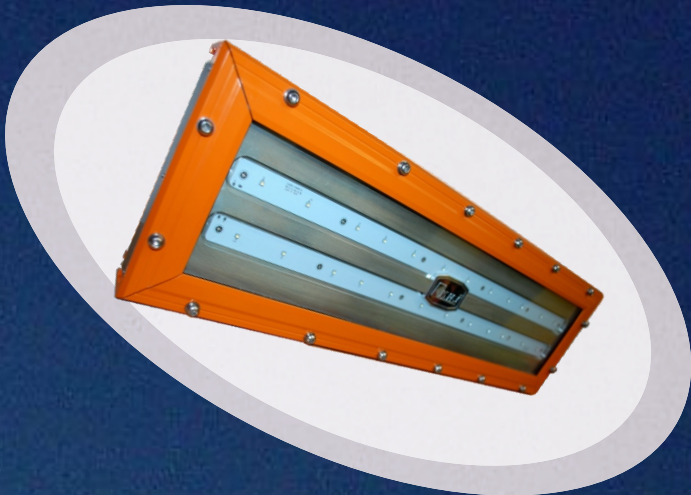


Swordfish Series



LED Emergency Explosion proof light

Ex Mark: Ex d IIB T6 Gb
Ex tb III C T80 C Db IP66

★ KHJ-LED Explosion Proof Lighting

Features and benefits

1. Energy saving. Reduce the number of luminaires you need, providing excellent efficacy-more light where you need it.
2. Anti-glare. reduces glare in applications where the user may have direct visual contact with the light source.
3. Shock- and vibration-resistant- tempered glass , reduces the risk of premature failure.
4. OSRAM LED source. High efficacy lumen output and high CRI.
5. Driver module assembly -High efficiency LED drivers are designed to provide reliable operation in even the harshest environments.
6. Copper -Free Aluminum enclosure, can endure 10J impact. IP66, can be used in marine and wet locations-robust construction suitable for saltwater and corrosive applications.
7. Different installation methods.
8. Safety chain design. Prevent any fall-off.
9. High power factor,energy saving.
10. Ambient temperature from -20°C to 40°C .

Applications:

1. Petroleum Industry, Petrochemical Industry, Metallurgical Industry, Power Generation Industry, Power Transmission Industry, Machine Manufacturing. etc.
2. Drilling platform, single point moorings, oil tanks, workover platform, production platform, field tank, manifold center, pumping station, gasoline station, transformer station, coating plant ,warehouse .etc.

Executive standard:

- IEC 60079-0:2007
- IEC 60079-1:2007
- IEC 60079-7:2006
- EN 60079-0:2009
- EN 60079-1:2007
- EN 60079-7:2007
- EN 60598-1:2008+A11:2009
- EN 55015:2013
- IEC 62321:2008

Division:

- ATEX Zone 1 & 21 and 2 & 22
- Class I Divison 1&2 Groups C、 D
- Class II Divison 1 Groups E、 F、 G
- Class II Divison 2 Groups F、 G
- Class III Divison 1
- Class III Divison 2



Ex Mark&Certifications:

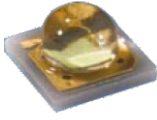
- Ex d IIB T6 Gb;
- Ex tb IIIC T80°C Db IP 66
- ABS Compliant
- CE Compliant
- RoHS Compliant
- IP 66 Rated



★ CHARACTERISTIC DETAILS



OSRAM LED source ,high efficacy and lumen output.



Explosion proof aluminium alloy enclosure, high performance of anti- impact. Can endure 10J impact.



Copper -Free Aluminum enclosure , anti-corrosion. Suitable for different application.

LED clung to the enclosure which make heat dissipation fast. Lower the junction Temp.

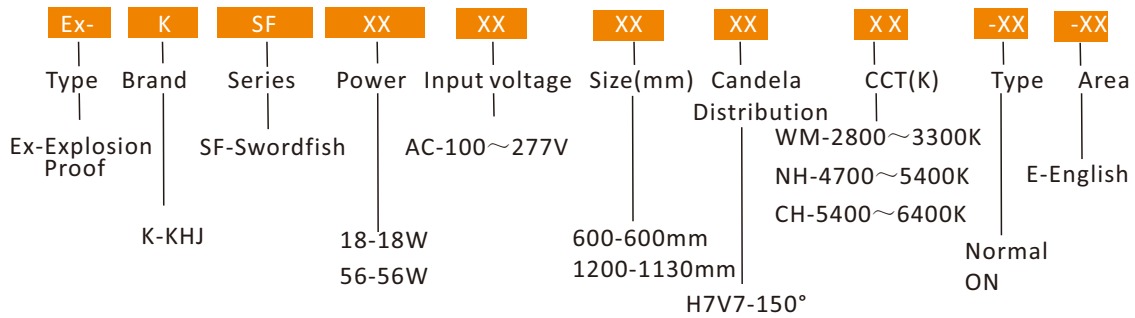


Characteristic details

★ PERFORMANCE PARAMETER



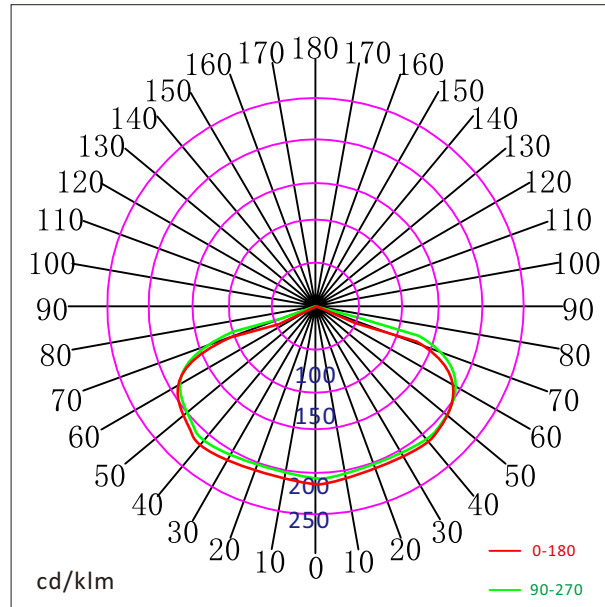
Product Definition



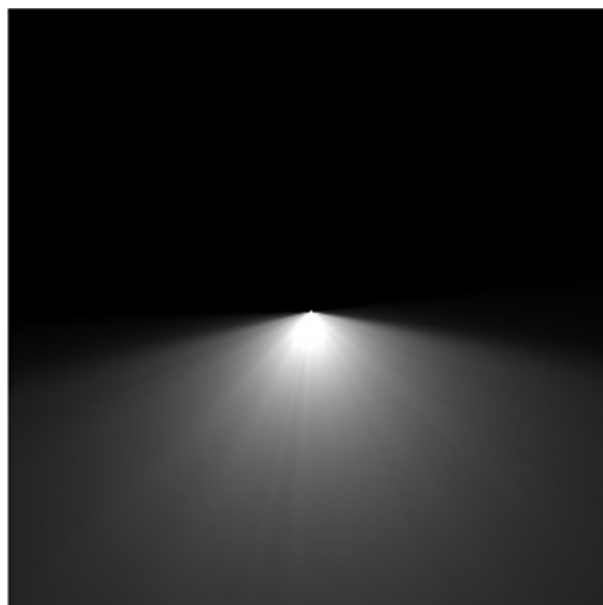
Main Performance Parameter

Product type		Ex-KSF18600			Ex-KSF561200		
P/N		Ex-KSF18600H7V7WM-ON-E			Ex-KSF561200H7V7WM-ON-E		
		Ex-KSF18600H7V7NH-ON-E			Ex-KSF561200H7V7NH-ON-E		
		Ex-KSF18600H7V7CH-ON-E			Ex-KSF561200H7V7CH-ON-E		
Power (W)	Normal condition	18			56		
	Emergency	5			5		
Color temp.		Warm white	Natural white	Cool white	Warm white	Natural white	Cool white
CCT(K)		2800 ~ 3300	4700 ~ 5400	5400 ~ 6400	2800 ~ 3300	4700 ~ 5400	5400 ~ 6400
CRI		82	70	70	82	70	70
Luminous flux(lm)	Normal use	1362	1703	1703	4328	5298	5298
	Emergency	450	550	550	450	550	550
Size (mm)		600*187*80mm			1130*187*80mm		
Weight (Kg)		8.8			14.5		
Ex Mark		Ex d e II B T6 Gb;Ex tb IIIC T80℃ Db IP66					
Temp. Classification		T6					
Rated input voltage(V)		AC 100 ~ 277					
Battery	Rated capacity (Ah)	3.3					
	type	Lithium battery					
	Lifespan	300 cycles					
	Back up	More than 120 mins					
	Charging time (after full discharge)	less than 12 hours					
LED source		OSRAM LED					
Ambient temp. (°C)		-20 ~ +40					
IP Code		IP66					
Cable gland		M25、NPT 3/4					
Insulation		I					

Candela Distribution



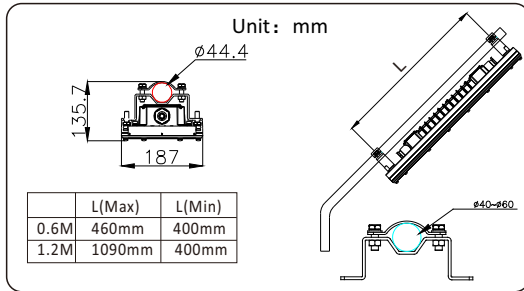
S/ MHwp: 2. 5 : 1



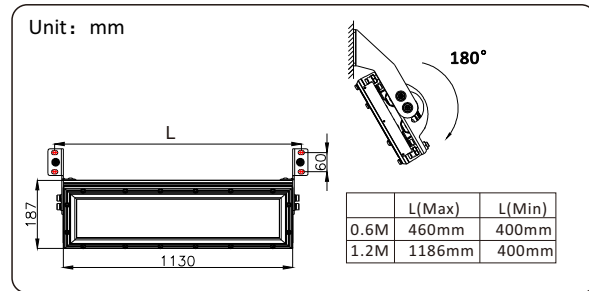
★ INSTALLATION METHOD



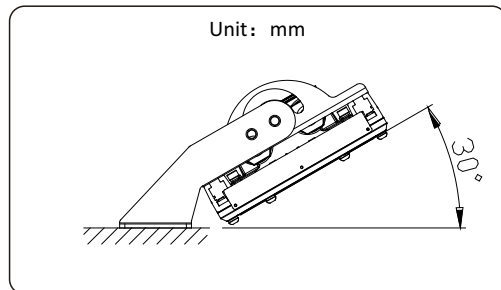
INSTALLATION METHOD



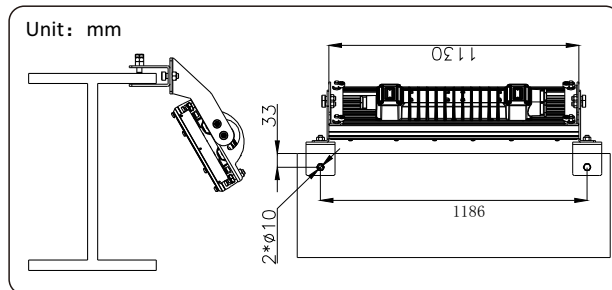
Pipe clamp



Wall mount

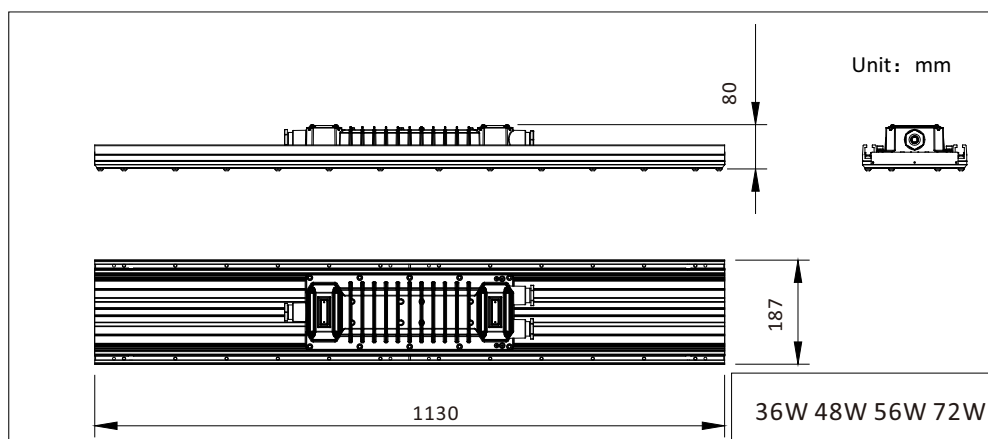
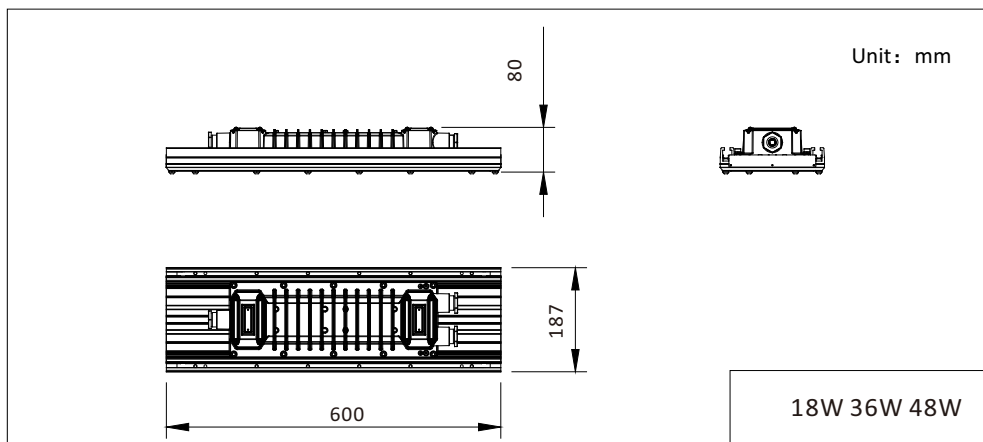


Stanchion mount



Clamp mount

Size

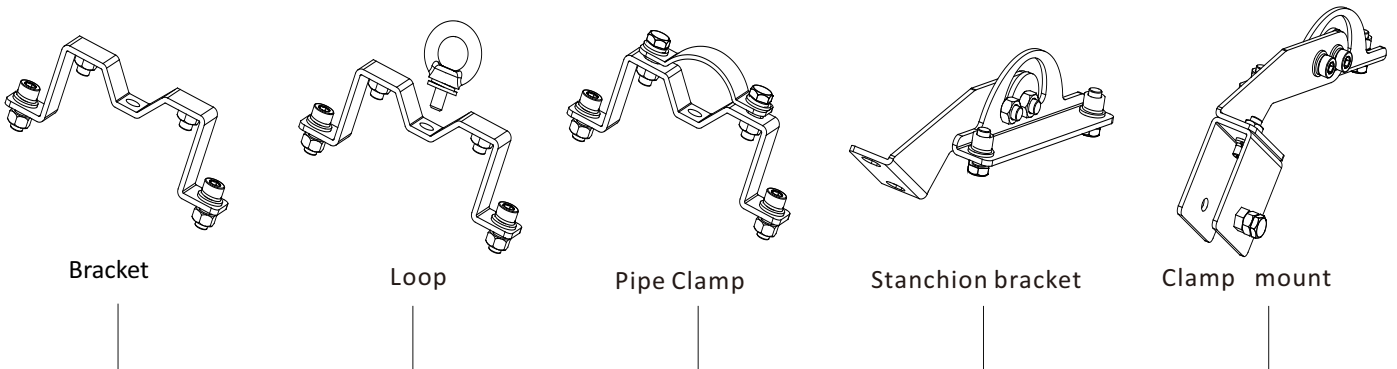




Optional parts

NO.	Installation accessories		Material	Weight (Unit: kg)	QTY	Remarks
1	Bracket		Q235	0.8	2	/
2	Loop		Q235	1.2	2	/
3	Pipe Clamp		Q235	1.8	2	/
4	Stanchion bracket		Q235	2.6	2	/
5	Clamp mount		Q235	3.0	2	/

Accessories



Optional Parts

⚠ Caution

- 1.To avoid the risk of fire, explosion, or electric shock, this product should be installed, inspected, and maintained by a qualified electrician only, in accordance with all applicable electrical codes.
- 2.To avoid electric shock:
Be certain electrical power is OFF before and during installation and maintenance.
Luminaire must be supplied by a wiring system with an equipment grounding conductor.
- 3.To avoid burning hands:
Make sure lens and housing are cool when performing maintenance.
- 4.To avoid explosion:
 - 1)Make sure the supply voltage is the same as the luminaire voltage.
 - 2)Do not install where the marked operating temperatures exceed the ignition temperature of the hazardous atmosphere.
 - 3)Do not operate in ambient temperatures above those indicated on the luminaire nameplate.
 - 4)All gasket seals must be clean.
 - 5)Before opening, electrical power to the luminaire must be turned off. Keep tightly closed when in operation.

Package Check

1. Check the carton and all the components according to the packing list.
- 2.Make sure the product is in good conditions.

Transportation

Please keep this product from heavy mechanical shock, exposure to strong sunshine, throwing, rolling and stress during transport

Storage

Kept in dry, clean and well-ventilated, non-corrosive medium warehouse, the ambient temperature should be -20°C to 40°C.

After-sales service

Installation and maintenance must be according to the instruction.
If customer can not deal with it by themselves, please contact with sales department.

Contact

SHENZHEN KHJ SEMICONDUCTOR LIGHTING CO., LTD.

Address: KHJ industrial park, Building 1, Chuangxin industrial park, Xintian community, Guanlan, Longhua new district, Shenzhen, China.

Tel: +86-755-82949977
E-mail: khjlledsales@khj.cn

Fax: +86-755-82949800
Web: www.khjled.com